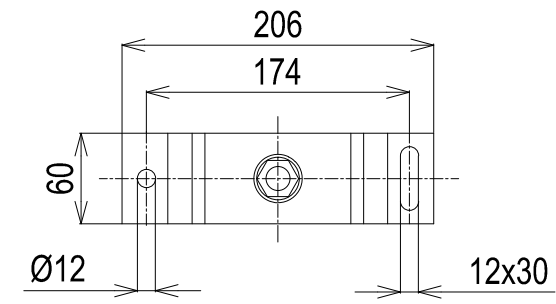
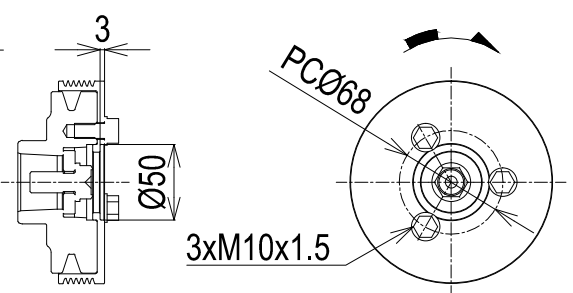
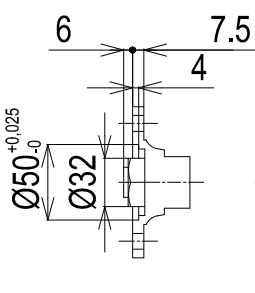
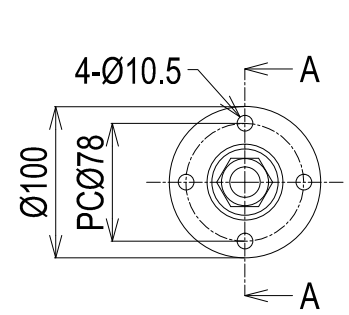


**DETAIL OF COUPLING**

**DIRECTION OF ROTATION**

**DETAIL OF MOUNTING BLOCK**



VIEW A-A

DETAIL OF PULLEY VIEWED FROM A

**NOTE:**

1. DWG. SHOWS MOUNTING BLOCKS AT ORIGINAL HEIGHT. ENGINE WEIGHT WILL COMPRESS BLOCKS BY 4MM (APPROX).
2. MOUNTING BLOCKS ARE EQUIPPED FOR STANDARD ACCESSORY.
3. ● SHOWS THE CENTER OF GRAVITY.
4. THE FIGURES MARKED WITH \* SHOW THE DIMENSIONS WITH U-MIXING ELBOW, OR OPTIONAL COUPLING.
5. FOR ADDITIONAL INSTALLATION INFORMATION AND SPECIFICATIONS PLEASE REFER TO THE YANMAR ENGINE INSTALLATION MANUAL

Engine:	3JH5E_KM35P	Release:	12-11-2012
Scale:	1:10	Date:	01-06-2013
		Dimensions:	mm

